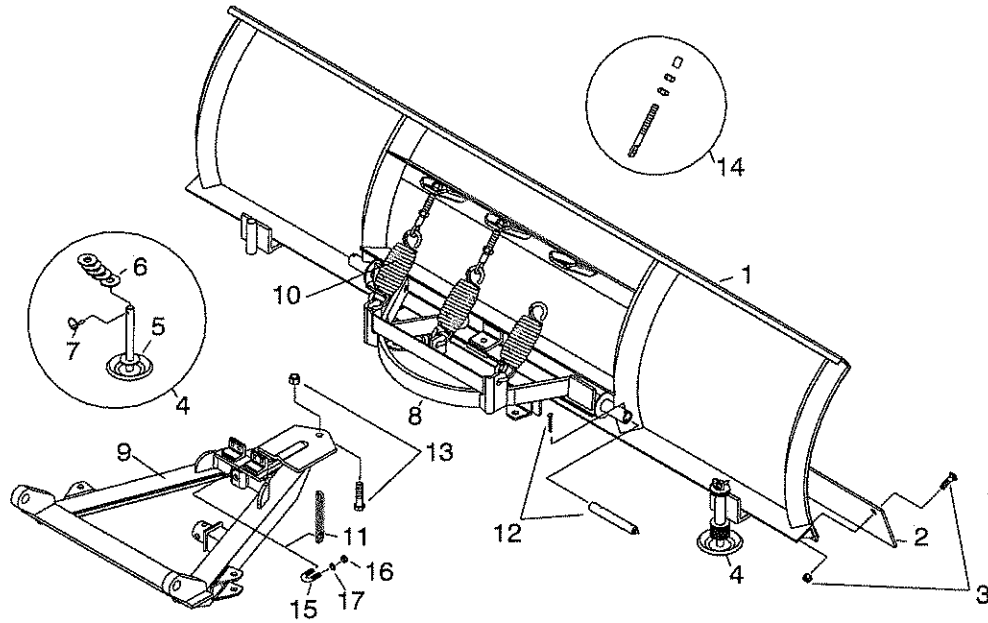


Parts & Installation Instructions

E-Z PLUS™/MDII™ Mounting

Model STL-7.5 Snow Plow



PARTS LIST

Item	Part No.	Qty.	Description
1	09256	1	Moldboard Assembly
2	09257	1	• Cutting Edge
3	08184	1	• Bolt C1/2-13 x 2" Gr. 5 & Locknut (Kit of 8 each)
4	09127	2	• Runner Assembly
5	10853	1	•• Runner
6	20359	13	•• Flat Washer 3/4"
7	22083	1	•• Linch Pin
	16518	1	A-Frame and Pivot Carton
8	12182	1	• Sector
9	13711	1	• A-Frame (11" x 34" x 22-1/8")
10	12978	3	• Trip Spring
	09916	1	• Plow Marker Kit
11	21534	2	• Lift Chain 5/16 x 36"
	08738	1	• Plow Hardware Bag
12	09119	2	•• Pivot Pin w/Grease Fittg. and Cotter Pin
	09122	1	•• King Bolt w/Locknut
	09124	3	•• Eye Bolt w/Locknuts & Cap
	8518001026	2	•• 7/16-14 NC U-Bolt
	8501001007	4	•• 7/16-14 NC Nut
	20328	4	•• Lockwasher 7/16

Parts indented are included in the assembly under which they are indented.

Meyer Products reserves the right, under its continuing product improvement program, to change construction or design details, specifications and prices without notice or without incurring any obligation.

INSTALLATION INSTRUCTIONS

Note: The following instructions cover assembly of Moldboard, Sector and A-Frame. Refer to separate instructions for installation of plow mounting and hydraulic system.

- A. Liberally coat Pivot Pins (12) with chassis lubricant.
- B. Attach Sector (8) to Moldboard (1) with Pivot Pins (12) (grease fitting facing outward) and insert Cotter Pin. Grease Pivot Pin using grease fitting.
- C. Attach Eye Bolts (14) to Moldboard (1) and trip Springs (10) to Sector (8), making certain locknuts are positioned as shown in Figure 1.
- D. Make certain each Eye Bolt (14) is in a vertical position as shown in figure 1 so that the Eye Bolt (14) and Trip Spring (10) hinge properly when moldboard trips.

Note: Proper tension is attained when Trip Spring (10) coils just begin to separate and then tightening top locknut four additional turns. Tighten bottom Locknut (20530) to secure Eyebolt in position. Install Eyebolt caps (07031) over exposed threads. See Figure 1.

- E. Attach A-Frame to Sector (8) as shown in Figure 2.
IMPORTANT: Install King Bolt (13) from bottom so that locknut is on top.

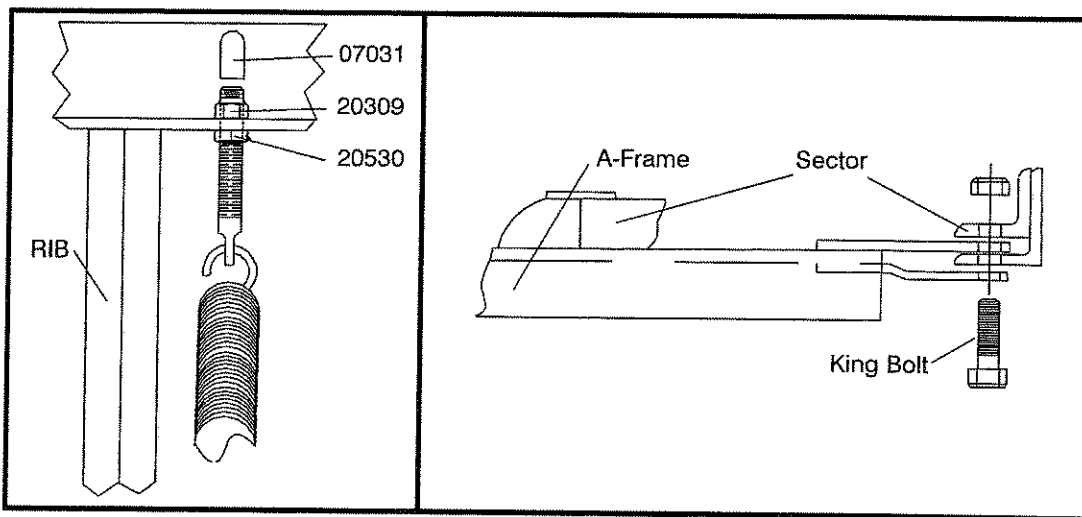


Figure 1

Figure 2